

AXOR Citterio E Bath Spout

Surfaces: **Chrome** Article Number: **36425000**



Description

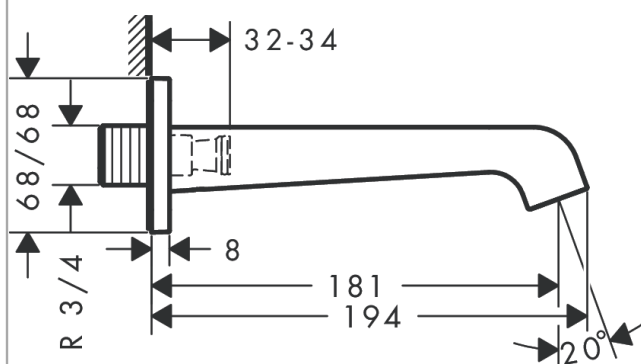
product features

- connection type: G 3/4
- projection 181 mm
- flow rate: 22 l/min
- spray type: laminar spray
- ACS 19 ACC LY 062, valide jusqu'au 06.09.2023
- WRAS 1603006

Product image



Scale drawing

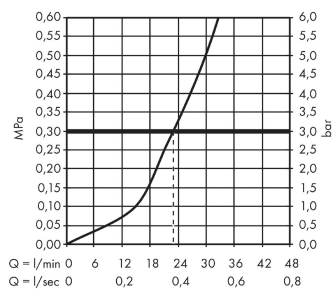


AXOR Citterio E Bath Spout

Surfaces: **Chrome** Article Number: **36425000**



Flowchart



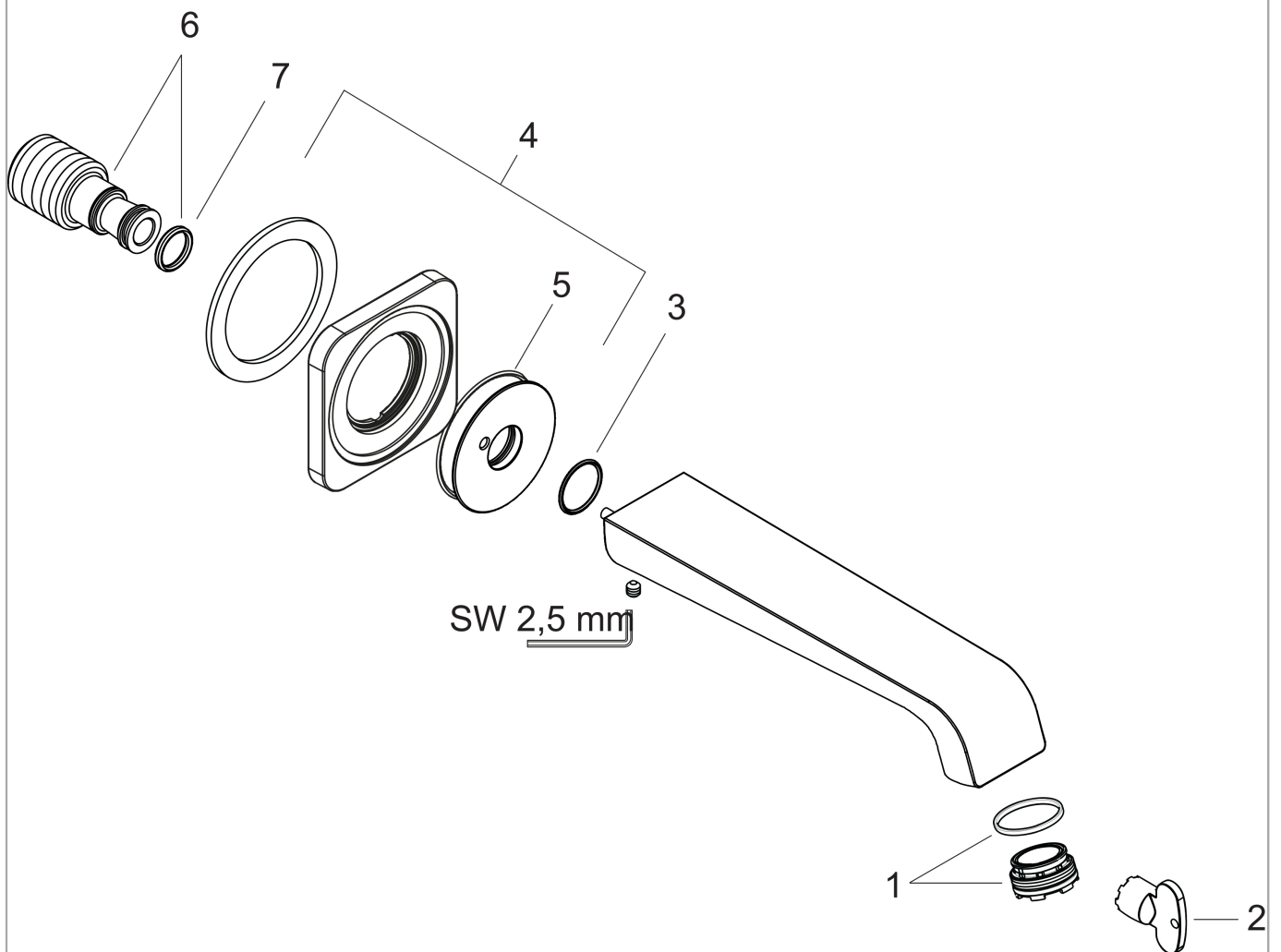
AXOR Citterio E
Bath Spout
Surfaces: **Chrome**

Article Number: **36425000**



Exploded Drawing

Year of production: >12/14



**AXOR Citterio E
Bath Spout**

Surfaces: **Chrome** Article Number: **36425000**



Spare part list

Year of production: >12/14

Pos.	Description	Article Number	PC	PU
1	aerator laminar M24x1 C	98337000	8	1
2	special tool	95158000	2	1
3	O-ring 18x1,5	98231000	1	1
4	escutcheon for spout	92337000	16	1
5	O-Ring 46x2	98195000	1	1
6	connecting thread G $\frac{3}{4}$	92504000	11	1
7	O-ring 13x2	98128000	1	1